

Features

- Supply Voltage: 2.1V to 6.0V
- Low Supply Current: 80µA per channel
- Rail to Rail Input and Output
- Bandwidth: 1 MHz
- Slew Rate: 0.7V/µs
- Excellent EMI Suppress Performance
- Offset Voltage: ±3mV Maximum
- Offset Voltage Temperature Drift: 2 µV/°C
- Low Noise: 27 nV/√Hz at 1kHz
- High Output Capability: 100mA
- -40°C to 125°C Operation Temperature Range

Applications

- Active Filters, ASIC Input or Output Amplifier
- Sensor Interface
- Smoke/Gas/Environment Sensors
- Portable Instruments and Mobile Device

Description

The TP600X series are CMOS dual, and quad RRIO op-amps with low offset, low power and stable high frequency response. They incorporate 3PEAK's proprietary and patented design techniques to achieve very good AC performance with 1MHz bandwidth, 0.6V/µs slew rate and low distortion while drawing only 500µA of quiescent current per amplifier. The input common-mode voltage range extends 300mV beyond V₋ and V₊, and the outputs swing rail-to-rail. The TP600X family can be used as plug-in replacements for many commercially available op-amps to reduce power and improve input/output range and performance.

The combination of features makes the TP600X ideal choices for motor control and portable audio amplification, sound ports, and other consumer Audio. The TP600X Op-amp is very stable, and it is capable of driving heavy capacitive loads such as those found in LCDs. The ability to swing rail-to-rail at the inputs and outputs enables designers to buffer CMOS DACs, ASICs, or other wide output swing devices in single-supply systems.

Pin Configuration

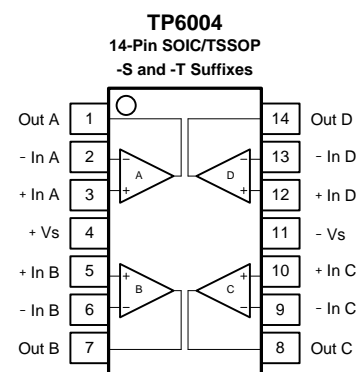
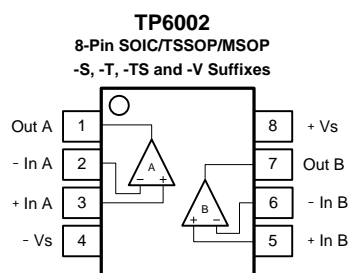
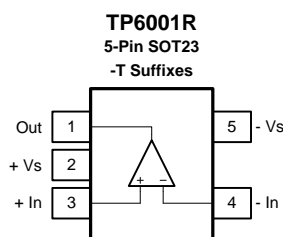
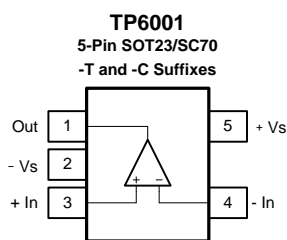


Table of Contents

| | |
|---|-----------|
| Features | 1 |
| Applications | 1 |
| Description | 1 |
| Pin Configuration | 1 |
| Table of Contents | 2 |
| Revision History | 3 |
| Order Information | 3 |
| Absolute Maximum Ratings ^{Note 1} | 4 |
| ESD Rating | 4 |
| Thermal Information | 4 |
| Electrical Characteristics | 5 |
| Typical Performance Characteristics | 6 |
| Application Information | 9 |
| Low Supply Voltage and Low Power Consumption | 9 |
| Ground Sensing and Rail to Rail Output | 9 |
| Driving Large Capacitive Load | 9 |
| Tape and Reel Information | 10 |
| Package Outline Dimensions | 11 |
| SC70-5 /SOT-353 | 11 |
| SOT23-5 | 11 |
| SOP-8 | 12 |
| TSSOP-8 | 13 |
| MSOP-8 | 14 |
| SOP-14 | 15 |
| TSSOP-14 | 16 |

Revision History

| Date | Revision | Notes |
|------------|----------|--|
| 2017/3/1 | Rev.Pre | Pre-Release Version |
| 2017/8/11 | Rev.0 | Release Version, confirm spec limit |
| 2017/10/28 | Rev.0.01 | Correct the max of Common-mode Input Voltage Range in Electrical Characteristics from (V+) - 0.1 to (V+) + 0.1. Correct Operating Temperature Range in Maximum Ratings from -45 to 125°C to -40 to 125°C. |

Order Information

| Order Number | Operating Temperature Range | Package | Marking Information | MSL | Transport Media, Quantity |
|-----------------------------|-----------------------------|--------------|--------------------------------|-----|---------------------------|
| TP6001-TR | -40 to 125°C | 5-Pin SOT23 | 601XX ^{Note 2} | 3 | Tape and Reel, 3000 |
| TP6001-CR ^{Note 1} | -40 to 125°C | 5-Pin SC70 | 601XX ^{Note 2} | 3 | Tape and Reel, 3000 |
| TP6001R-TR | -40 to 125°C | 5-Pin SOT23 | 60RXX ^{Note 2} | 3 | Tape and Reel, 3000 |
| TP6002-SR | -40 to 125°C | 8-Pin SOIC | 6002 XXXX ^{Note 3} | 3 | Tape and Reel, 4000 |
| TP6002-TSR | -40 to 125°C | 8-Pin TSSOP | 6002 XXXX ^{Note 3} | 3 | Tape and Reel, 3000 |
| TP6002-VR ^{Note 1} | -40 to 125°C | 8-Pin MSOP | 6002 XXXX ^{Note 3} | 3 | Tape and Reel, 3000 |
| TP6004-SR | -40 to 125°C | 14-Pin SOIC | 6004 XXXX ^{Note 3} | 3 | Tape and Reel, 2500 |
| TP6004-TR | -40 to 125°C | 14-Pin TSSOP | 6004 XXXX ^{Note 3} | 3 | Tape and Reel, 3000 |

Note 1: The sample will be ready in 1 month.

Note 2: XX is the date code.

Note 3: XXXX is date code.

Absolute Maximum Ratings ^{Note 1}

| Parameters | Rating |
|--|--|
| Supply Voltage, (+V _S)– (-V _S) | 7 V |
| Input Voltage | (-V _S) – 0.3 to (+V _S) + 0.3 |
| Differential Input Voltage | ±7V |
| Input Current: +IN, –IN ^{Note 2} | ±10mA |
| Output Short-Circuit Duration ^{Note 3} | Infinite |
| Maximum Junction Temperature | 150°C |
| Operating Temperature Range | –40 to 125°C |
| Storage Temperature Range | –65 to 150°C |
| Lead Temperature (Soldering, 10 sec) | 260°C |

Note 1: Stresses beyond those listed under Absolute Maximum Ratings may cause permanent damage to the device. Exposure to any Absolute Maximum Rating condition for extended periods may affect device reliability and lifetime.

Note 2: The inputs are protected by ESD protection diodes to each power supply. If the input extends more than 300mV beyond the power supply, the input current should be limited to less than 10mA.

Note 3: A heat sink may be required to keep the junction temperature below the absolute maximum. This depends on the power supply voltage and how many amplifiers are shorted. Thermal resistance varies with the amount of PC board metal connected to the package. The specified values are for short traces connected to the leads.

ESD Rating

| Symbol | Parameter | Condition | Minimum Level | Unit |
|--------|--------------------------|----------------------------|---------------|------|
| HBM | Human Body Model ESD | MIL-STD-883H Method 3015.8 | 8 | kV |
| CDM | Charged Device Model ESD | JEDEC-EIA/JESD22-C101E | 2 | kV |

Thermal Information

| Package Type | θ _{JA} | θ _{JC} | Unit |
|--------------|-----------------|-----------------|------|
| 5-Pin SOT23 | 250 | 81 | °C/W |
| 8-Pin SOIC | 158 | 43 | °C/W |
| 8-Pin TSSOP | 191 | 44 | °C/W |
| 8-Pin MSOP | 210 | 45 | °C/W |
| 14-Pin SOIC | 120 | 36 | °C/W |
| 14-Pin TSSOP | 180 | 35 | °C/W |

Electrical Characteristics

All test condition is $V_S = 5V$, $T_A = 25^\circ C$, $R_L = 2k\Omega$, $C_L = 100pF$, unless otherwise noted.

| Symbol | Parameter | Conditions | Min | Typ | Max | Unit |
|-------------------------------|-------------------------------------|--|------------|-------|------------|------------------|
| Power Supply | | | | | | |
| V_S | Supply Voltage Range | | 2.1 | | 6 | V |
| I_Q | Quiescent Current per Amplifier | | | 80 | 130 | μA |
| PSRR | Power Supply Rejection Ratio | | 80 | 100 | | dB |
| Input Characteristics | | | | | | |
| V_{OS} | Input Offset Voltage | $V_{CM} = 0V$ to $3V$ | -3 | 0.5 | 3 | mV |
| $V_{OS\ TC}$ | Input Offset Voltage Drift | $T_A = -40^\circ C$ to $125^\circ C$ | | 2 | | $\mu V/^\circ C$ |
| I_B | Input Bias Current | $T_A = 25^\circ C$ | | 1 | | μA |
| | | $T_A = 85^\circ C$ | | 25 | | μA |
| I_{OS} | Input Offset Current | | | 1 | | μA |
| C_{IN} | Input Capacitance | Differential Mode | | 8 | | pF |
| | | Common Mode | | 7 | | pF |
| A_V | Open-loop Voltage Gain | $R_{LOAD} = 10k\Omega$ | 85 | 110 | | dB |
| V_{CMR} | Common-mode Input Voltage Range | | (V-) - 0.1 | | (V+) + 0.1 | V |
| CMRR | Common Mode Rejection Ratio | $V_{CM} = 0V$ to $3V$ | 70 | 100 | | dB |
| Xtalk | Channel Separation | $f = 1kHz$, $R_L = 2k\Omega$ | | 110 | | dB |
| Output Characteristics | | | | | | |
| V_{OH}, V_{OL} | Maximum Output Voltage Swing | $R_{LOAD} = 10k\Omega$ | | 3 | 15 | mV |
| I_{SC} | Output Short-Circuit Current | | | 100 | | mA |
| AC Specifications | | | | | | |
| GBW | Gain-Bandwidth Product | | | 1 | | MHz |
| SR | Slew Rate | $A_V = 1$, $V_{OUT} = 1.5V$ to $3.5V$, $C_{LOAD} = 60pF$, $R_{LOAD} = 1k\Omega$ | | 0.7 | | V/ μs |
| t_s | Settling Time, 0.1% | $A_V = 1$, 2V Step, $C_{LOAD} = 60pF$, $R_{LOAD} = 1k\Omega$ | | 3.5 | | μs |
| | Settling Time, 0.01% | | | 4.8 | | μs |
| PM | Phase Margin | $R_{LOAD} = 1k\Omega$, $C_{LOAD} = 60pF$ | | 60 | | $^\circ$ |
| GM | Gain Margin | $R_{LOAD} = 1k\Omega$, $C_{LOAD} = 60pF$ | | 15 | | dB |
| Noise Performance | | | | | | |
| E_N | Input Voltage Noise | $f = 0.1Hz$ to $10Hz$ | | 8 | | μV_{PP} |
| e_N | Input Voltage Noise Density | $f = 1kHz$ | | 27 | | nV/ \sqrt{Hz} |
| i_N | Input Current Noise | $f = 1kHz$ | | 2 | | fA/ \sqrt{Hz} |
| THD+N | Total Harmonic Distortion and Noise | $f = 1kHz$, $A_V = 1$, $R_L = 2k\Omega$, $V_{OUT} = 1V_{p-p}$ | | 0.003 | | % |

Typical Performance Characteristics

$V_S = 5V$, $V_{CM} = 2.5V$, $R_L = \text{Open}$, unless otherwise specified.

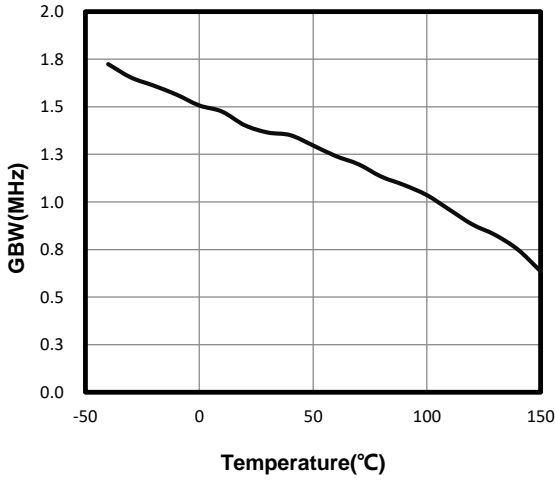


Figure 1. Unity Gain Bandwidth vs. Temperature

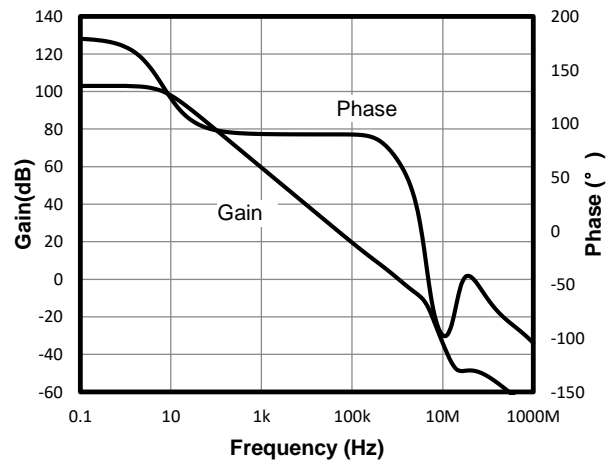


Figure 2. Open-Loop Gain and Phase

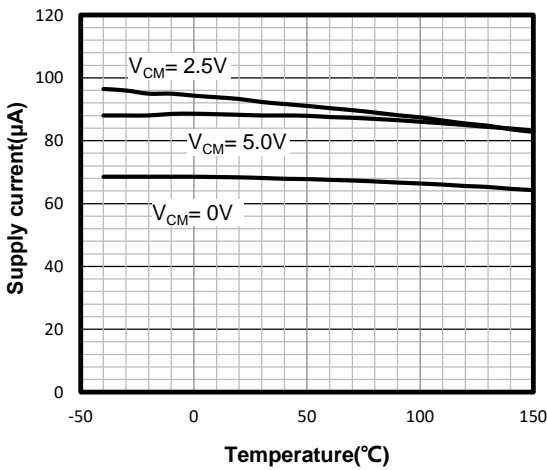


Figure 3. Supply Current vs. Temperature

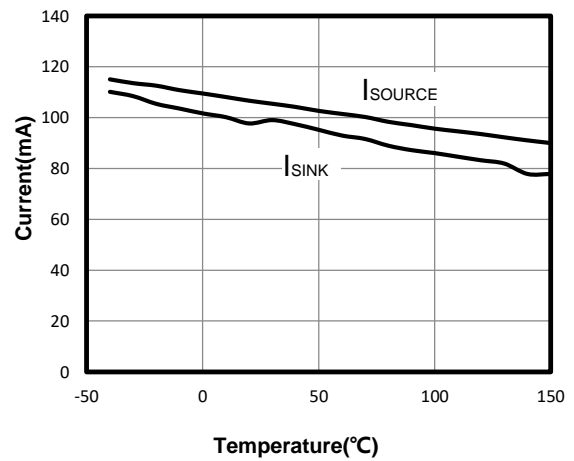


Figure 4. Short Circuit Current vs. Temperature

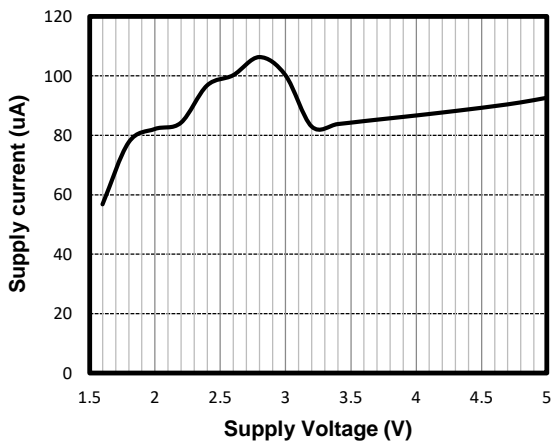


Figure 5. Quiescent Current vs. Supply Voltage

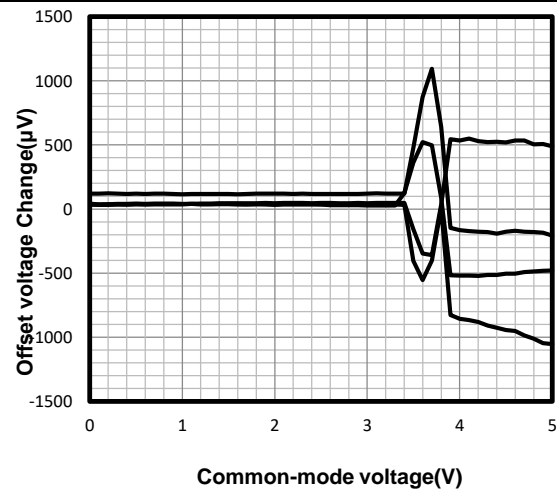


Figure 6. Offset Voltage vs. Common-Mode Voltage

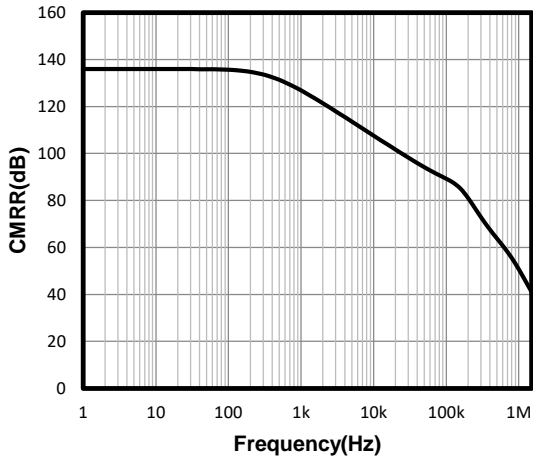


Figure 7. CMRR vs. Frequency

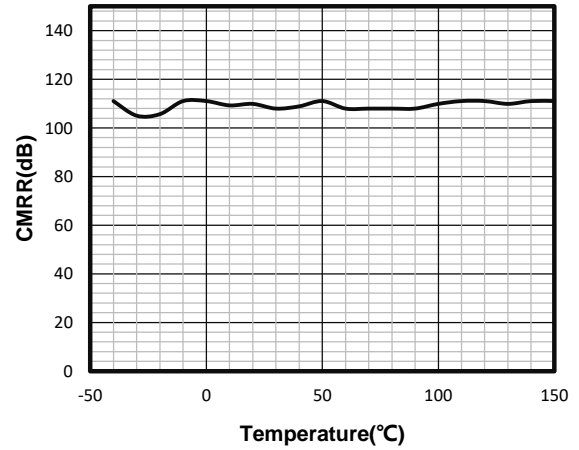


Figure 8. CMRR vs. Temperature

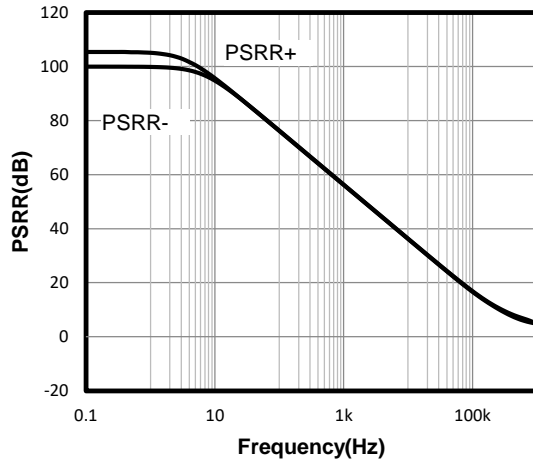


Figure 9. PSRR vs. Frequency

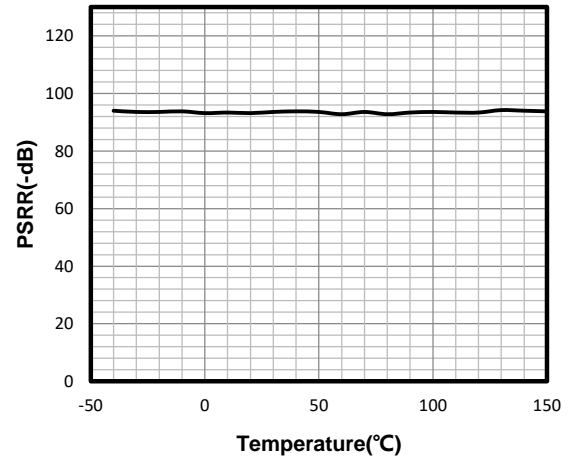


Figure 10. PSRR vs. Temperature

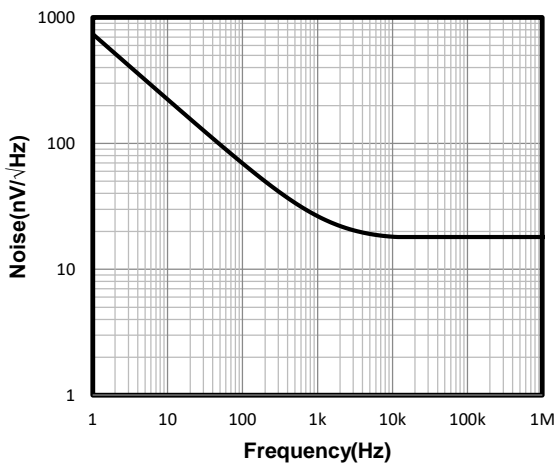


Figure 11. Input Voltage Noise Spectral Density

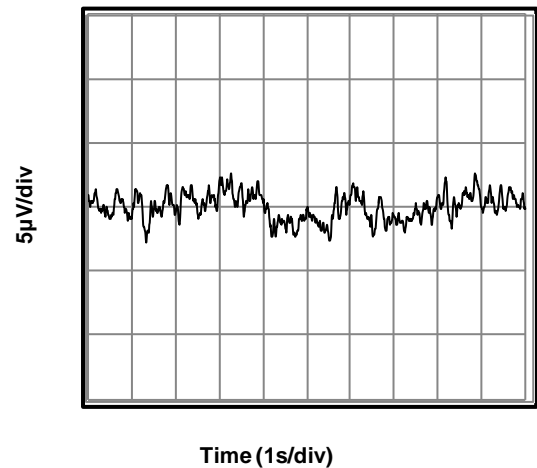


Figure 12. 0.1 Hz to 10 Hz Input Voltage Noise

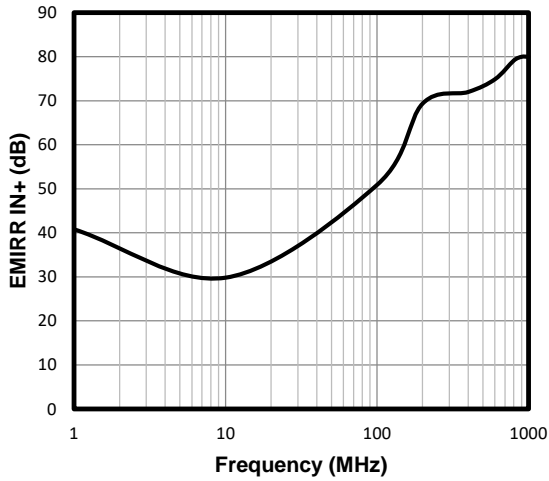


Figure 13. EMIRR IN+ vs. Frequency

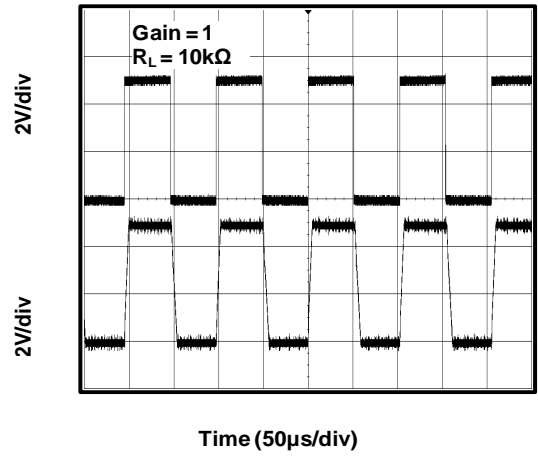


Figure 14. Large-Scale Step Response

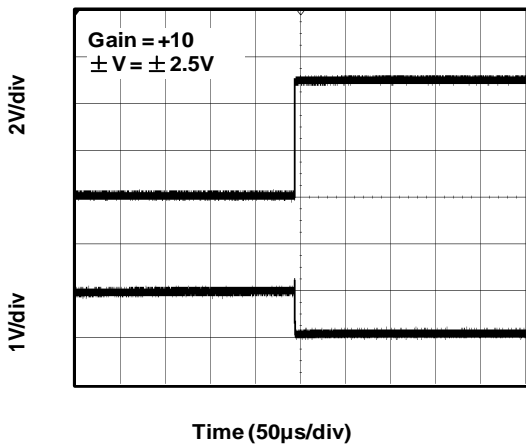


Figure 15. Negative Over-Voltage Recovery

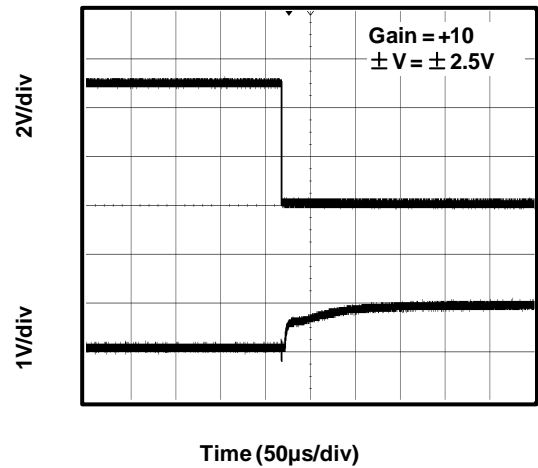


Figure 16. Positive Over-Voltage Recovery

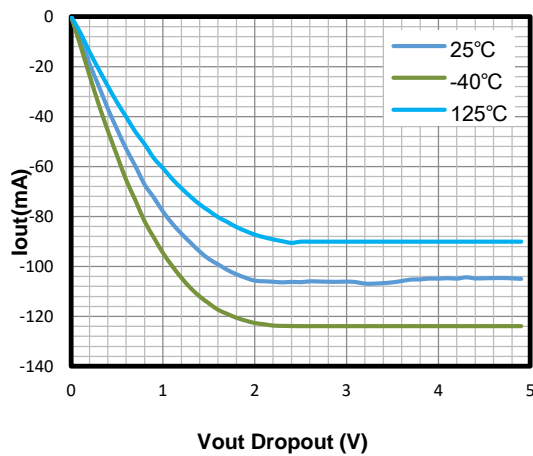


Figure 17. Negative Output Swing vs. Load Current

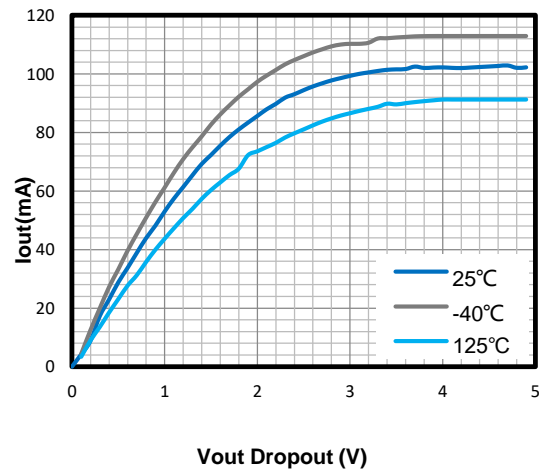


Figure 18. Positive Output Swing vs. Load Current

Application Information

Low Supply Voltage and Low Power Consumption

The TP600X family of operational amplifiers can operate with power supply voltages from 2.1 V to 6.0 V. Each amplifier draws only 80 μ A quiescent current. The low supply voltage capability and low supply current are ideal for portable applications demanding high capacitive load driving capability and stable wide bandwidth. The TP600X family is optimized for wide bandwidth low power applications. They have an industry leading high GBWP to power ratio and are unity gain stable for any capacitive load. When the load capacitance increases, the increased capacitance at the output pushed the non-dominant pole to lower frequency in the open loop frequency response, lowering the phase and gain margin. Higher gain configurations tend to have better capacitive drive capability than lower gain configurations due to lower closed loop bandwidth and hence higher phase margin.

Ground Sensing and Rail to Rail Output

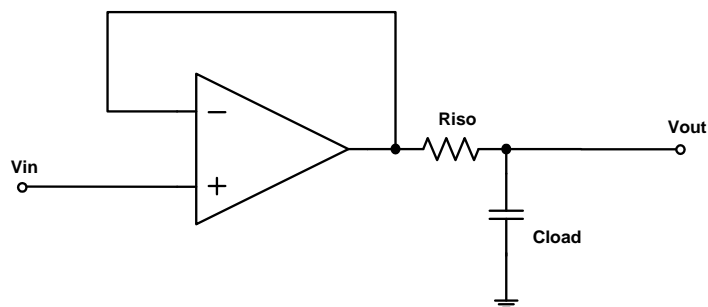
The TP600X family has excellent output drive capability, delivering over 100 mA of output drive current. The output stage is a rail-to-rail topology that is capable of swinging to within 10mV of either rail. Since the inputs can go 300 mV beyond either rail, the op-amp can easily perform 'true ground' sensing.

The maximum output current is a function of total supply voltage. As the supply voltage to the amplifier increases, the output current capability also increases. Attention must be paid to keep the junction temperature of the IC below 150°C when the output is in continuous short-circuit. The output of the amplifier has reverse-biased ESD diodes connected to each supply. The output should not be forced more than 0.5V beyond either supply, otherwise current will flow through these diodes.

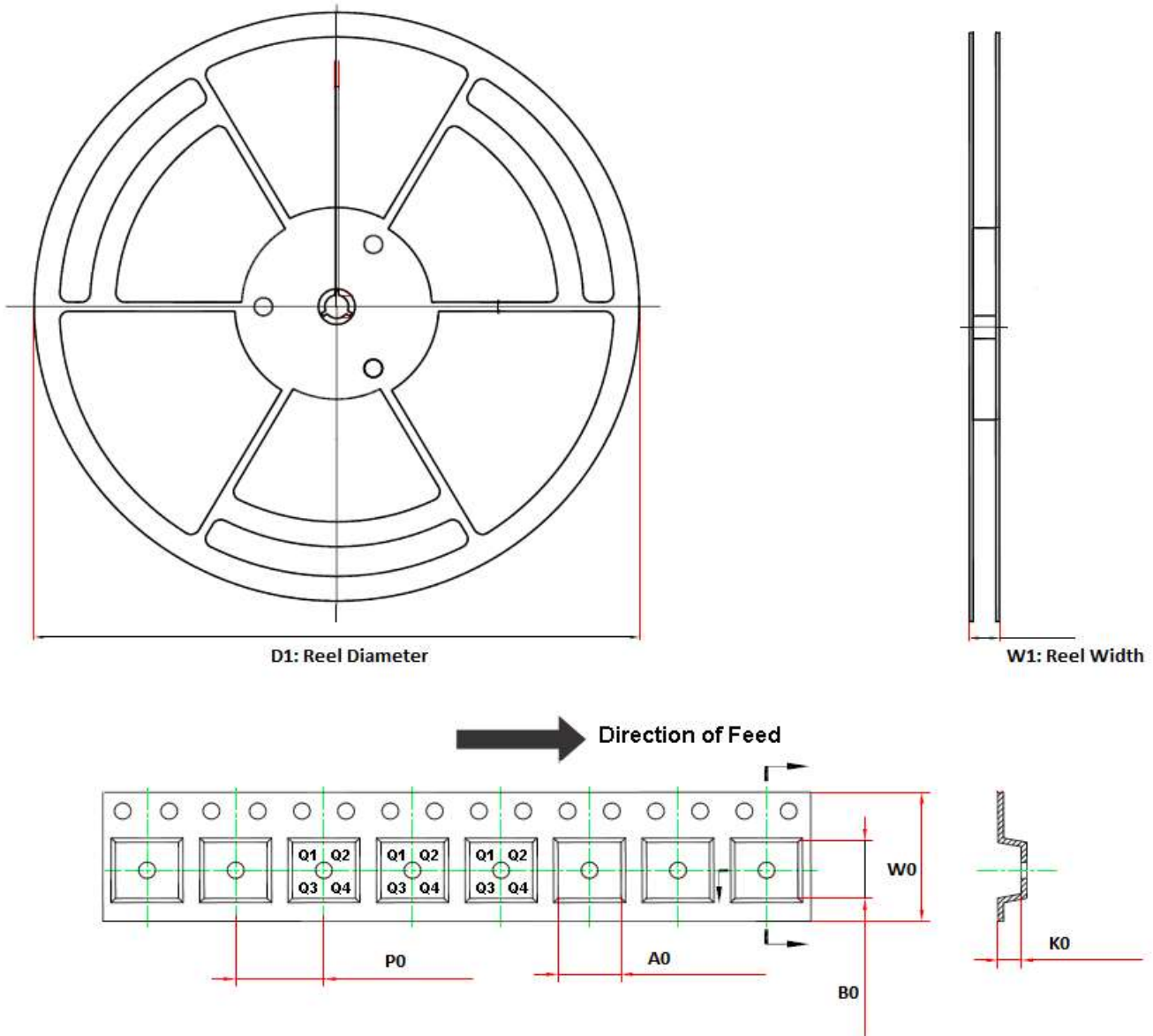
Driving Large Capacitive Load

The TP600X family of OPA is designed to drive large capacitive loads. Refer to Typical Performance Characteristics for "Phase Margin vs. Load Capacitance". As always, larger load capacitance decreases overall phase margin in a feedback system where internal frequency compensation is utilized. As the load capacitance increases, the feedback loop's phase margin decreases, and the closed-loop bandwidth is reduced. This produces gain peaking in the frequency response, with overshoot and ringing in output step response. The unity-gain buffer ($G = +1V/V$) is the most sensitive to large capacitive loads.

When driving large capacitive loads with the TP600X OPA family (e.g., > 200 pF when $G = +1V/V$), a small series resistor at the output (RISO in Figure 3) improves the feedback loop's phase margin and stability by making the output load resistive at higher frequencies.



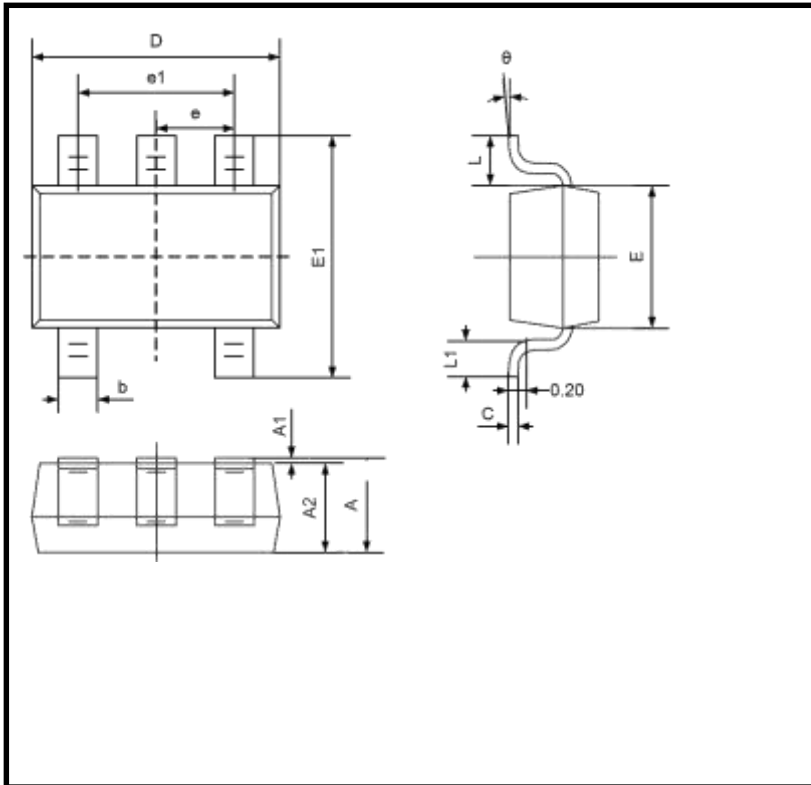
Tape and Reel Information



| Order Number | Package | D1 | W1 | A0 | B0 | K0 | P0 | W0 | Pin1 Quadrant |
|--------------|--------------|-------|------|-----|-----|-----|-----|------|---------------|
| TP6001-TR | 5-Pin SOT23 | 180.0 | 13.1 | 3.2 | 3.2 | 1.4 | 4.0 | 8.0 | Q3 |
| TP6002-SR | 8-Pin SOIC | 330.0 | 17.6 | 6.4 | 5.4 | 2.1 | 8.0 | 12.0 | Q1 |
| TP6002-VR | 8-Pin MSOP | 330.0 | 17.6 | 5.2 | 3.3 | 1.5 | 8.0 | 12.0 | Q1 |
| TP6002-TSR | 8-Pin TSSOP | 330.0 | 17.6 | 6.8 | 3.3 | 1.2 | 8.0 | 12.0 | Q1 |
| TP6004-SR | 14-Pin SOIC | 330.0 | 21.6 | 6.5 | 9.0 | 2.1 | 8.0 | 16.0 | Q1 |
| TP6004-TR | 14-Pin TSSOP | 330.0 | 17.6 | 6.8 | 5.4 | 1.2 | 8.0 | 12.0 | Q1 |

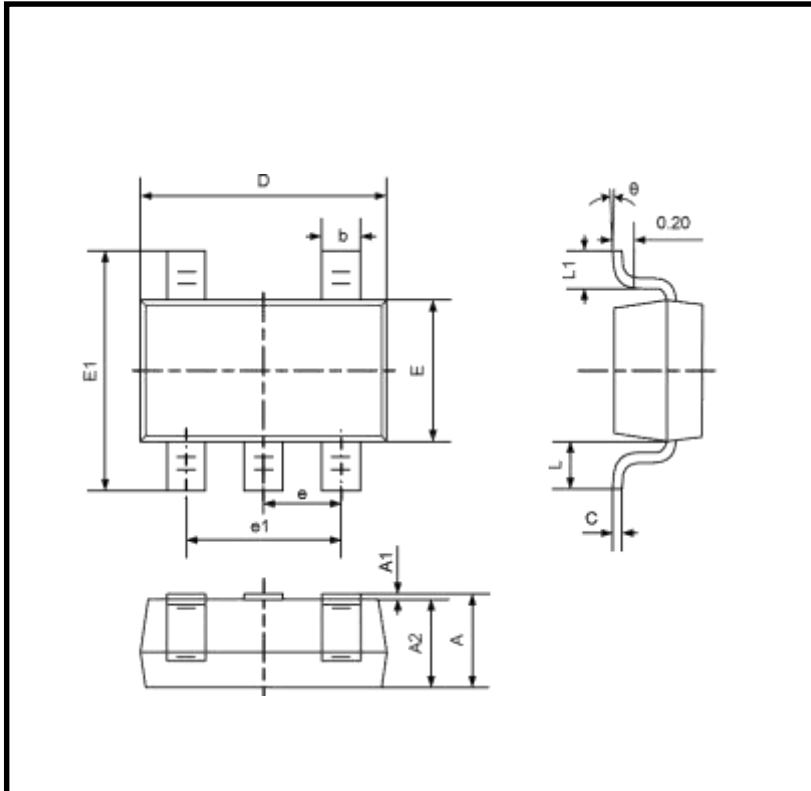
Package Outline Dimensions

SC70-5 /SOT-353



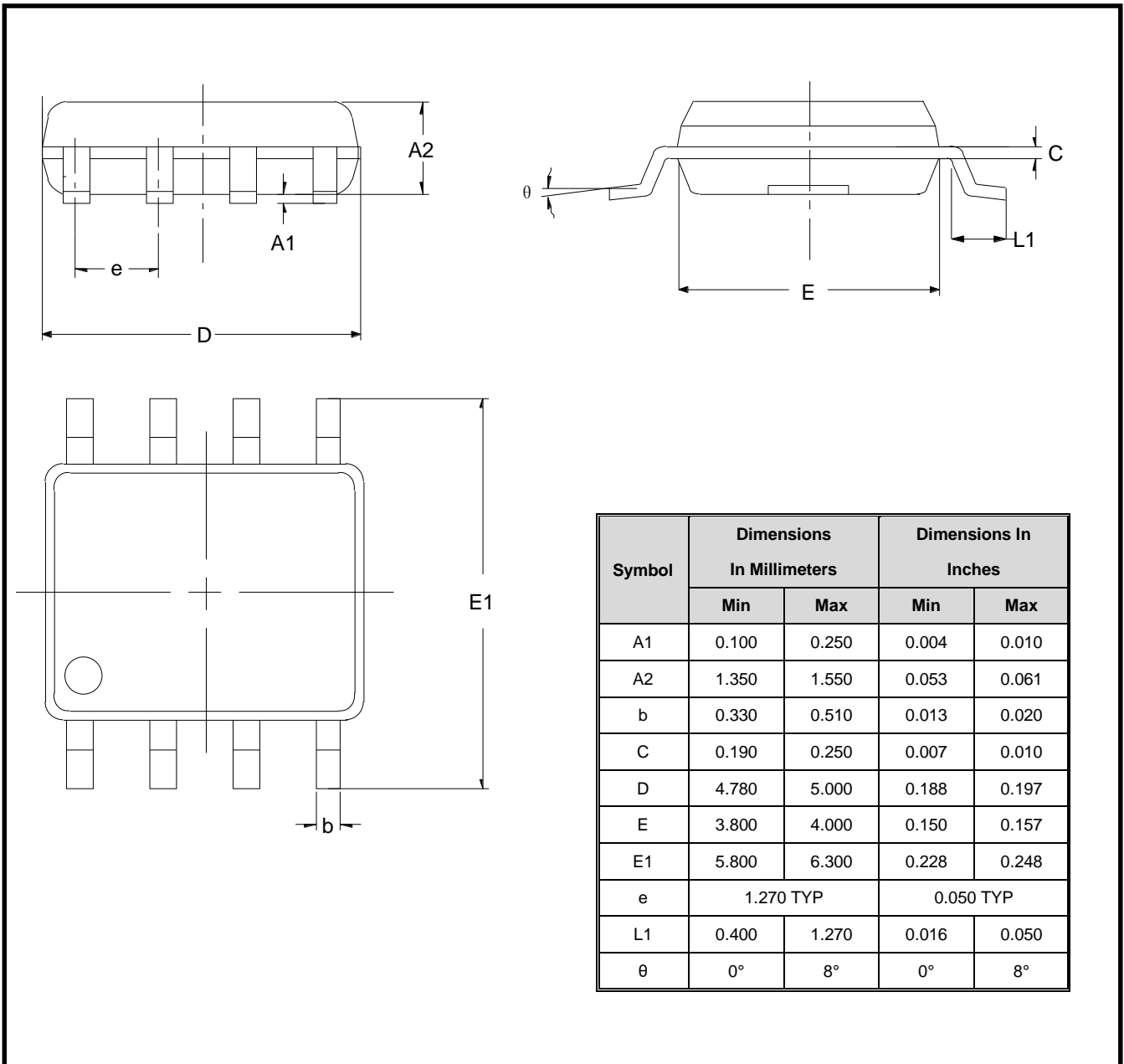
| Symbol | Dimensions In Millimeters | | Dimensions In Inches | |
|--------|------------------------------|-------|-------------------------|-------|
| | Min | Max | Min | Max |
| A | 0.900 | 1.100 | 0.035 | 0.043 |
| A1 | 0.000 | 0.100 | 0.000 | 0.004 |
| A2 | 0.900 | 1.000 | 0.035 | 0.039 |
| b | 0.150 | 0.350 | 0.006 | 0.014 |
| C | 0.080 | 0.150 | 0.003 | 0.006 |
| D | 2.000 | 2.200 | 0.079 | 0.087 |
| E | 1.150 | 1.350 | 0.045 | 0.053 |
| E1 | 2.150 | 2.450 | 0.085 | 0.096 |
| e | 0.650TYP | | 0.026TYP | |
| e1 | 1.200 | 1.400 | 0.047 | 0.055 |
| L | 0.525REF | | 0.021REF | |
| L1 | 0.260 | 0.460 | 0.010 | 0.018 |
| θ | 0° | 8° | 0° | 8° |

SOT23-5

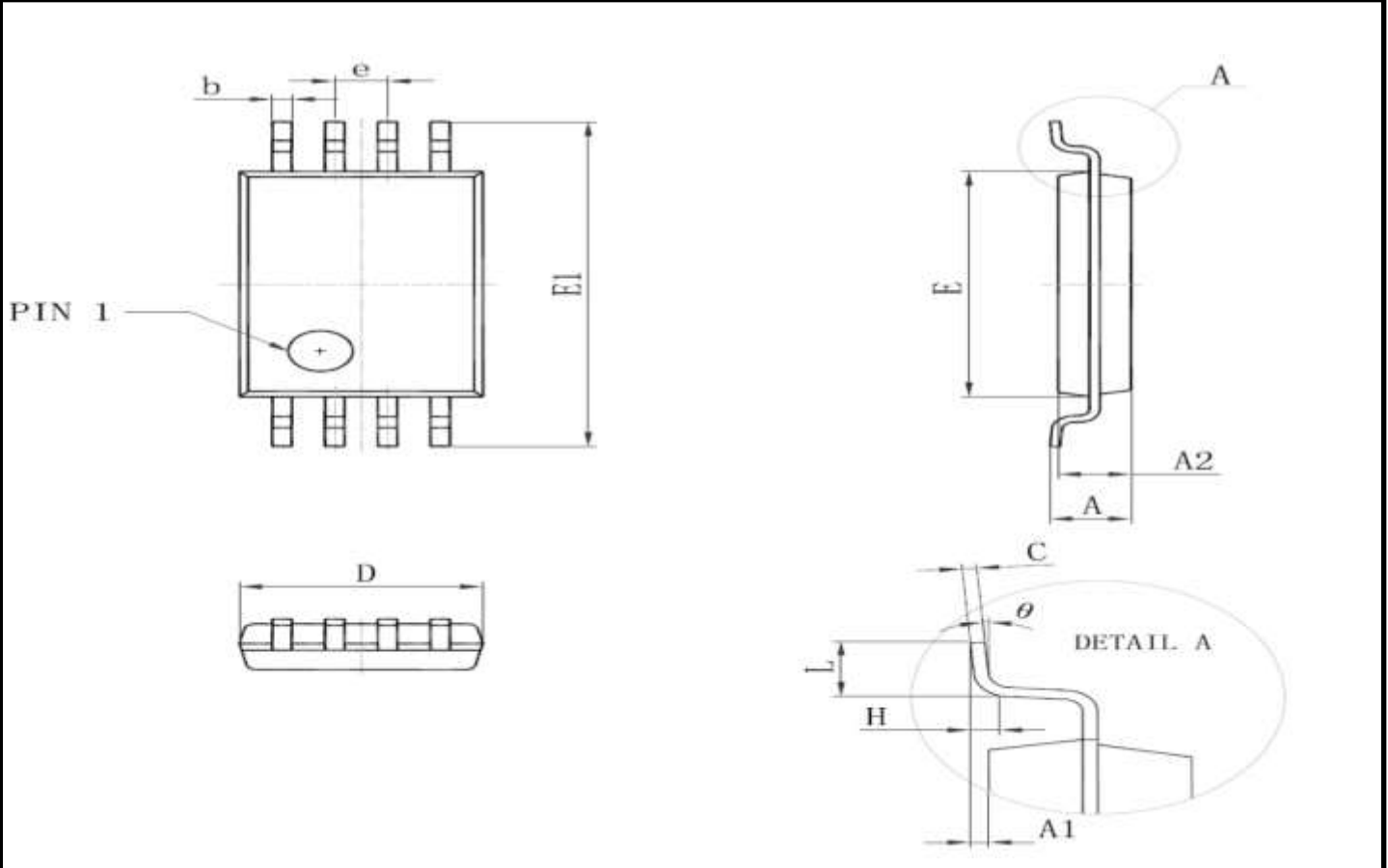


| Symbol | Dimensions In Millimeters | | Dimensions In Inches | |
|--------|------------------------------|-------|-------------------------|-------|
| | Min | Max | Min | Max |
| A | 1.050 | 1.250 | 0.041 | 0.049 |
| A1 | 0.000 | 0.100 | 0.000 | 0.004 |
| A2 | 1.050 | 1.150 | 0.041 | 0.045 |
| b | 0.300 | 0.400 | 0.012 | 0.016 |
| C | 0.100 | 0.200 | 0.004 | 0.008 |
| D | 2.820 | 3.020 | 0.111 | 0.119 |
| E | 1.500 | 1.700 | 0.059 | 0.067 |
| E1 | 2.650 | 2.950 | 0.104 | 0.116 |
| e | 0.950TYP | | 0.037TYP | |
| e1 | 1.800 | 2.000 | 0.071 | 0.079 |
| L | 0.700REF | | 0.028REF | |
| L1 | 0.300 | 0.460 | 0.012 | 0.024 |
| θ | 0° | 8° | 0° | 8° |

SOP-8

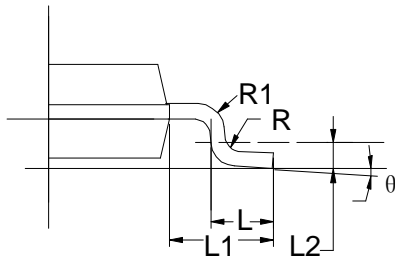
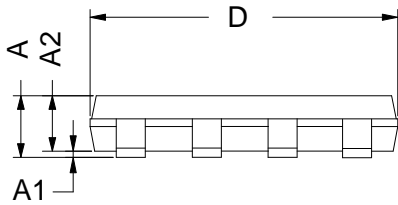
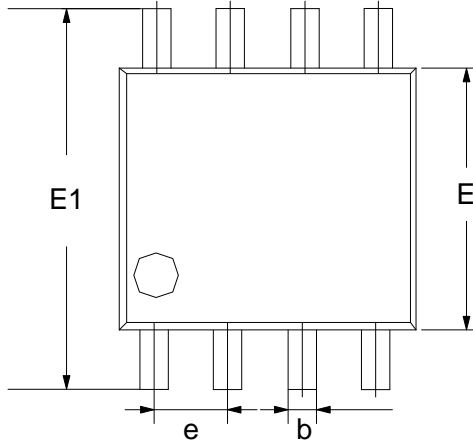


TSSOP-8



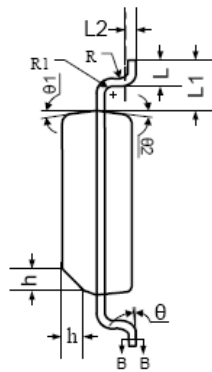
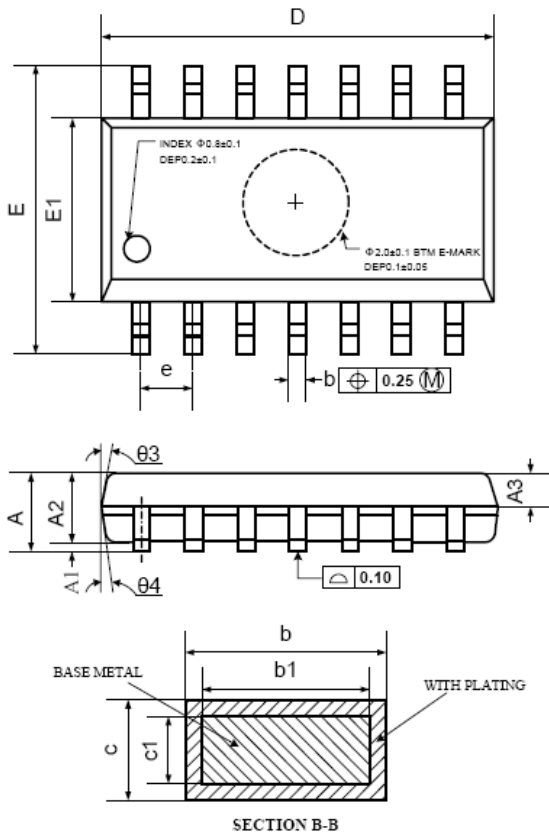
| Symbol | Dimensions In Millimeters | | Dimensions In Inches | |
|--------|---------------------------|-------|----------------------|-------|
| | Min | Max | Min | Max |
| D | 2.900 | 3.100 | 0.114 | 0.122 |
| E | 4.300 | 4.500 | 0.169 | 0.177 |
| b | 0.190 | 0.300 | 0.007 | 0.012 |
| c | 0.090 | 0.200 | 0.004 | 0.008 |
| E1 | 6.250 | 6.550 | 0.246 | 0.258 |
| A | | 1.200 | | 0.047 |
| A2 | 0.800 | 1.000 | 0.031 | 0.039 |
| A1 | 0.050 | 0.150 | 0.002 | 0.006 |
| e | 0.65(BSC) | | 0.026 (BSC) | |
| L | 0.500 | 0.700 | 0.020 | 0.028 |
| H | 0.25(BSC) | | 0.01 (BSC) | |
| θ | 1° | 7° | 1° | 7° |

MSOP-8



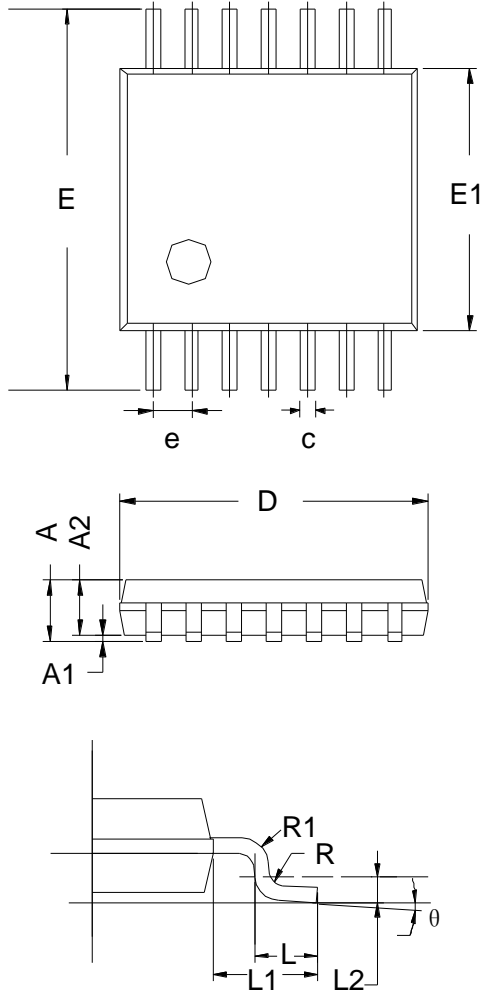
| Symbol | Dimensions In Millimeters | | Dimensions In Inches | |
|--------|------------------------------|-------|-------------------------|-------|
| | Min | Max | Min | Max |
| A | 0.800 | 1.200 | 0.031 | 0.047 |
| A1 | 0.000 | 0.200 | 0.000 | 0.008 |
| A2 | 0.760 | 0.970 | 0.030 | 0.038 |
| b | 0.30 TYP | | 0.012 TYP | |
| C | 0.15 TYP | | 0.006 TYP | |
| D | 2.900 | 3.100 | 0.114 | 0.122 |
| e | 0.65 TYP | | 0.026 | |
| E | 2.900 | 3.100 | 0.114 | 0.122 |
| E1 | 4.700 | 5.100 | 0.185 | 0.201 |
| L1 | 0.410 | 0.650 | 0.016 | 0.026 |
| θ | 0° | 6° | 0° | 6° |

SOP-14



| Symbol | Dimensions In Millimeters | | |
|------------|------------------------------|------|------|
| | MIN | NOM | MAX |
| A | 1.35 | 1.60 | 1.75 |
| A1 | 0.10 | 0.15 | 0.25 |
| A2 | 1.25 | 1.45 | 1.65 |
| A3 | 0.55 | 0.65 | 0.75 |
| b | 0.36 | | 0.49 |
| b1 | 0.35 | 0.40 | 0.45 |
| c | 0.16 | | 0.25 |
| c1 | 0.15 | 0.20 | 0.25 |
| D | 8.53 | 8.63 | 8.73 |
| E | 5.80 | 6.00 | 6.20 |
| E1 | 3.80 | 3.90 | 4.00 |
| e | 1.27 BSC | | |
| L | 0.45 | 0.60 | 0.80 |
| L1 | 1.04 REF | | |
| L2 | 0.25 BSC | | |
| R | 0.07 | | |
| R1 | 0.07 | | |
| h | 0.30 | 0.40 | 0.50 |
| θ | 0° | | 8° |
| $\theta 1$ | 6° | 8° | 10° |
| $\theta 2$ | 6° | 8° | 10° |
| $\theta 3$ | 5° | 7° | 9° |
| $\theta 4$ | 5° | 7° | 9° |

TSSOP-14



| Symbol | Dimensions In Millimeters | | |
|--------|------------------------------|------|------|
| | MIN | TYP | MAX |
| A | - | - | 1.20 |
| A1 | 0.05 | - | 0.15 |
| A2 | 0.90 | 1.00 | 1.05 |
| b | 0.20 | - | 0.28 |
| c | 0.10 | - | 0.19 |
| D | 4.86 | 4.96 | 5.06 |
| E | 6.20 | 6.40 | 6.60 |
| E1 | 4.30 | 4.40 | 4.50 |
| e | 0.65 BSC | | |
| L | 0.45 | 0.60 | 0.75 |
| L1 | 1.00 REF | | |
| L2 | 0.25 BSC | | |
| R | 0.09 | - | - |
| θ | 0° | - | 8° |

 ***3PEAK and the 3PEAK logo are registered trademarks of 3PEAK INCORPORATED. All other trademarks are the property of their respective owners.***
